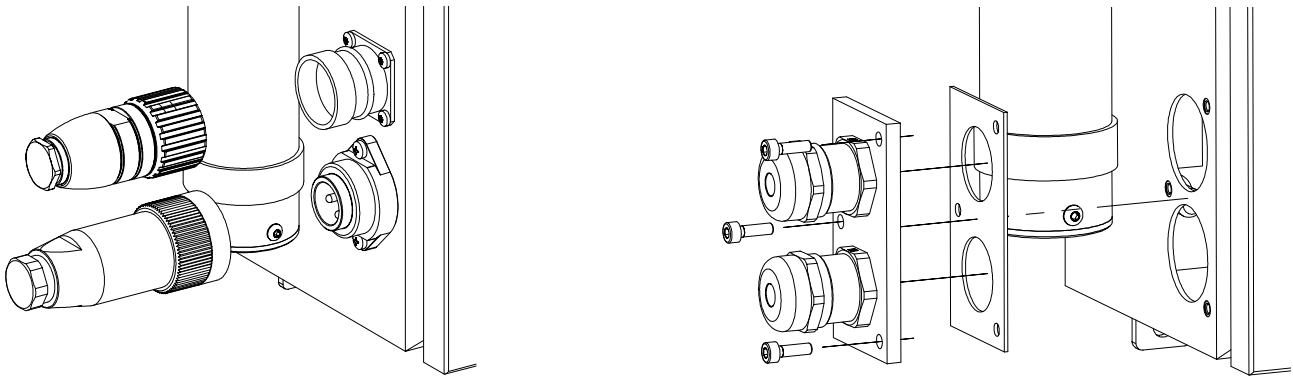


## Signal & Mains Adaptor BMT 965C-964C

for direct Replacement of a **BMT 964 C** by a **BMT 965 C**

One significant enhancement of the BMT 965 C over the predecessor model BMT 964 C is the fact that the signal wires do not need to be soldered onto a small 16-pin round connector. The BMT 965 C is equipped with two cable glands mounted on a plate, which in turn is mounted to the cabinet, and each wire can easily be connected to screw terminals inside the analyser's cabinet:

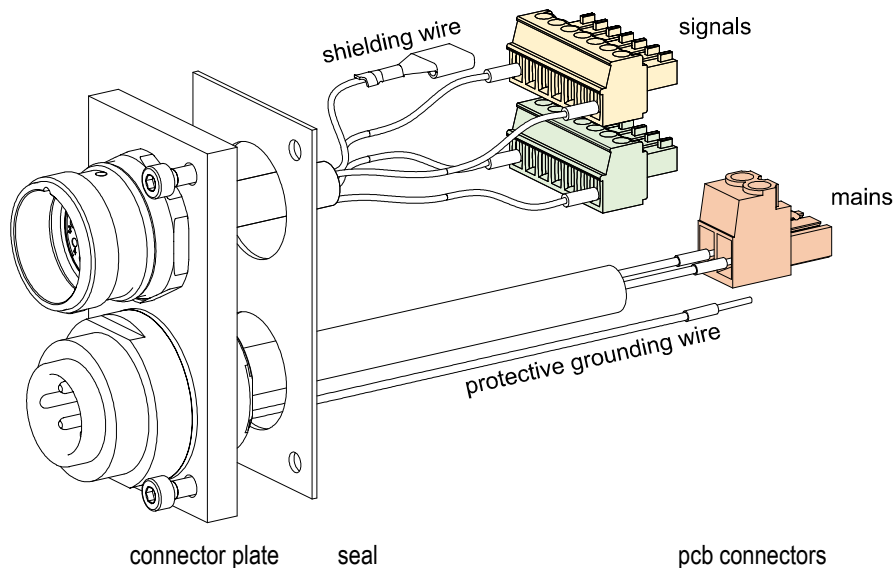


BMT 964 C: Connectors



BMT 965 C: Cable feed-through


If it is necessary to replace a BMT 964 C in an existing installation, and it is not convenient to adapt the existing wiring to the BMT 965 C, we offer an adaptor as shown below, which simply is mounted in place of the plate with cable glands and is ready to be plugged into the sockets on the circuit board. The **part number** of the adaptor is: **13366**.



To use this Adaptor, do the following:


- remove the connectors on the electronics inside the Cabinet
- loosen the three screws holding the plate with cable glands
- replace it with the Adaptor and tighten the screws
- plug the adaptor's connectors to the circuit board (**green**: lower row, **yellow**: upper row)
- connect protective ground and shielding wire to their respective terminals (see table)

Adaptor's **Mains** connections:

Pin, round connector	Function	Description	in/out	Pin, pcb connector	
1	mains, "N"	100 to 240 VAC, 50/60 Hz, 35 VA	input	orange	right
2	mains, "L"		input		left
3	(unused)				
	Protective Ground	<b>yellow-green wire,</b> to be connected to chassis grounding terminal inside Cabinet			

Adaptor's **Signals** connections:

Pin, round connector	Function	Description	in/out	Pin, pcb connectors	
7	Error contact	Opening on any error	output	green	1
8					3
2	Current output	4- 20 mA low	output		4
1		4- 20 mA high			5
4	Voltage output	0 – 10 V low	output		6
3		0 – 10 V high			7
10	Common for output contacts		output		yellow
12	Lamp Low contact	Opening on warning and error	output	9	
6	Auto Zero input	Set to Zero GND	input	10	
5		Set to Zero (+24 VDC, 8 mA)		11	
14	High Alarm contact	Opening or closing (selectable)	output	12	
13	Low Alarm contact	Opening or closing (selectable)	output	13	
15	Cuvette Dirty contact	Open on warning and error	output	14	
11	Cable shield	<b>black wire,</b> to be plugged onto grounding tab inside Cabinet			

There are two unconnected open wires on the round connectors: The yellow-green wire must be connected to the Cabinet's internal protective grounding terminal (screw terminal  ). The black shielding wire must be plugged onto a grounding tab inside the Cabinet.

For general safety information and further details on the electric installation see also *Appendix C* under *Electric connections* in the BMT 965 manual.

July 06, 2021, Tie