

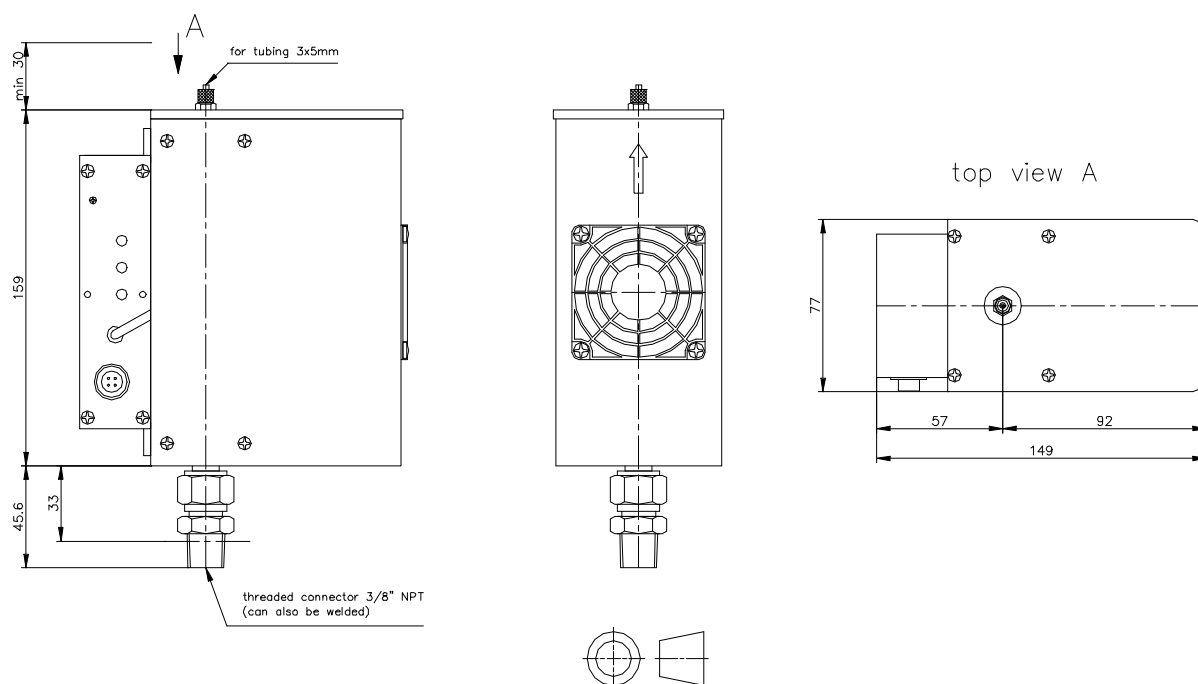
Sample Gas Dehumidifier DH5

Description

Rev. 09/2007

1 General Description

The DH5 electric cooler/dryer is a box about 160 x 150 x 80 mm (H x D x W) standing **upright** on one "leg". On top of the reaction vessel, or in a large diameter off-gas tube, the "leg" is plugged into a big SS fitting with a PTFE seal. The fitting can be screwed into a 3/8" NPT



threaded bore hole, or it can be welded directly into a bore hole 17 mm ID. A PVC plug 12 mm OD is permanently linked to the mounting fitting by a thin SS stranded wire, to tightly close the fitting when the dryer has to be removed for service or repair. The maximum length of the electrical connection between the cabinet and the cooler is 10 m.

The cooler/dryer (on top of the reaction vessel) and the 24VDC/60W power supply are connected with an electric cable, and with a PTFE tubing 3x5 mm leading the sample gas from the reactor to the analyser for ozone measurement.

In the tubing line coming from the reactor an optional Dirt Trap DT 100 can be provided for safety, and to watch the sample gas after its passage through the sample gas cooler/dryer.

Electrical connections

connecting cable	1 (black)	GND (24V) & Cable Shield
	2 (white)	+24 VDC
	3 (brown)	Contact COOL
	4 (green)	Contact COOL



(screw terminal side of plug)