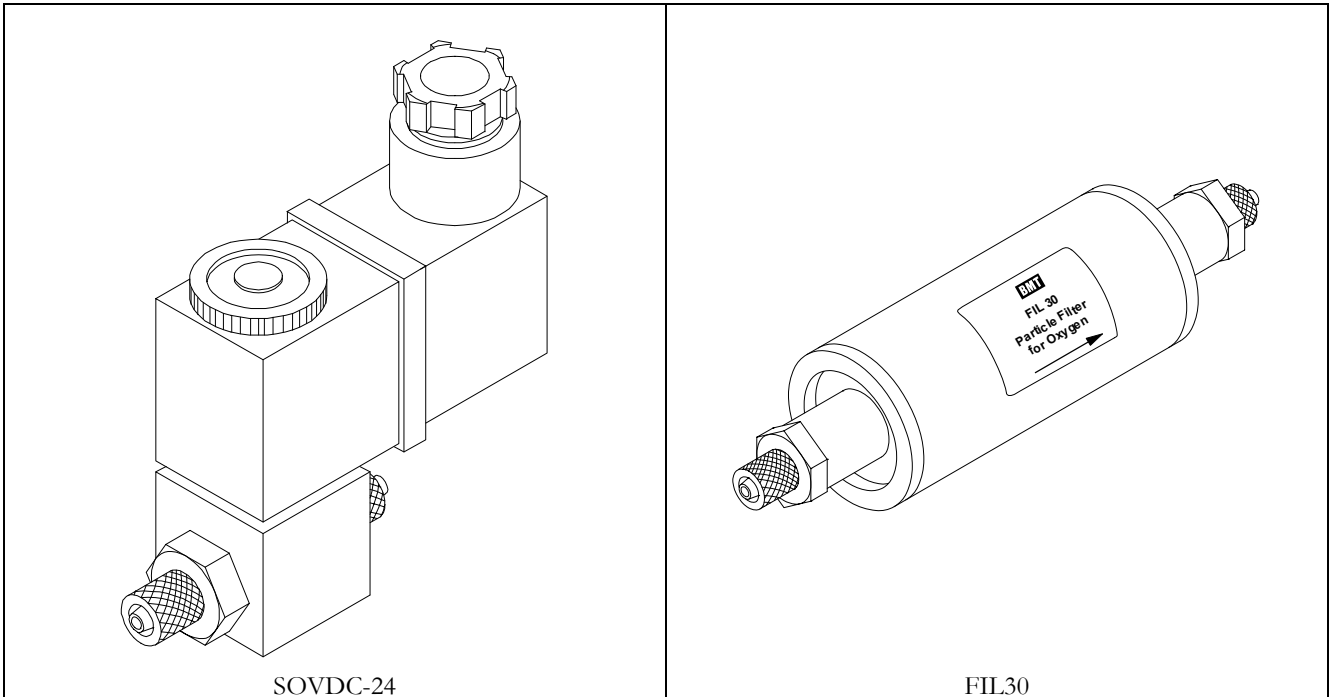


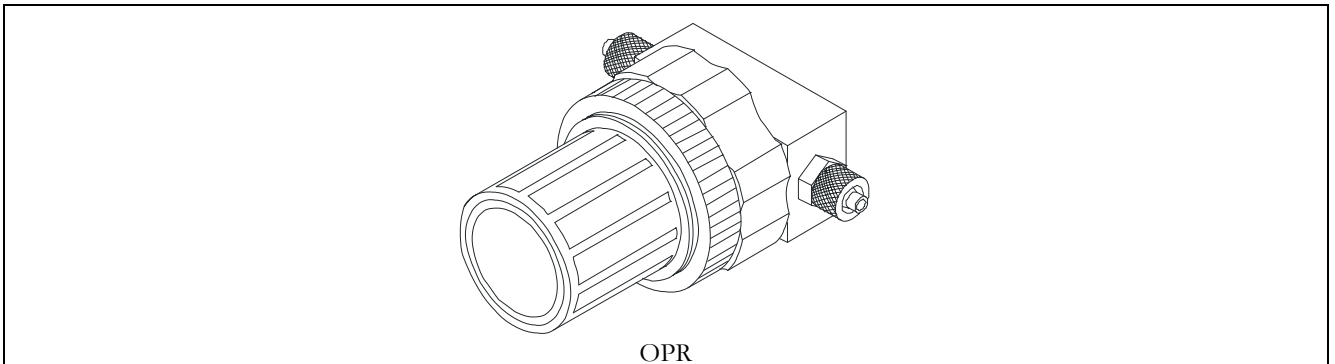
Ozone Generator Accessories



SOVDC-24

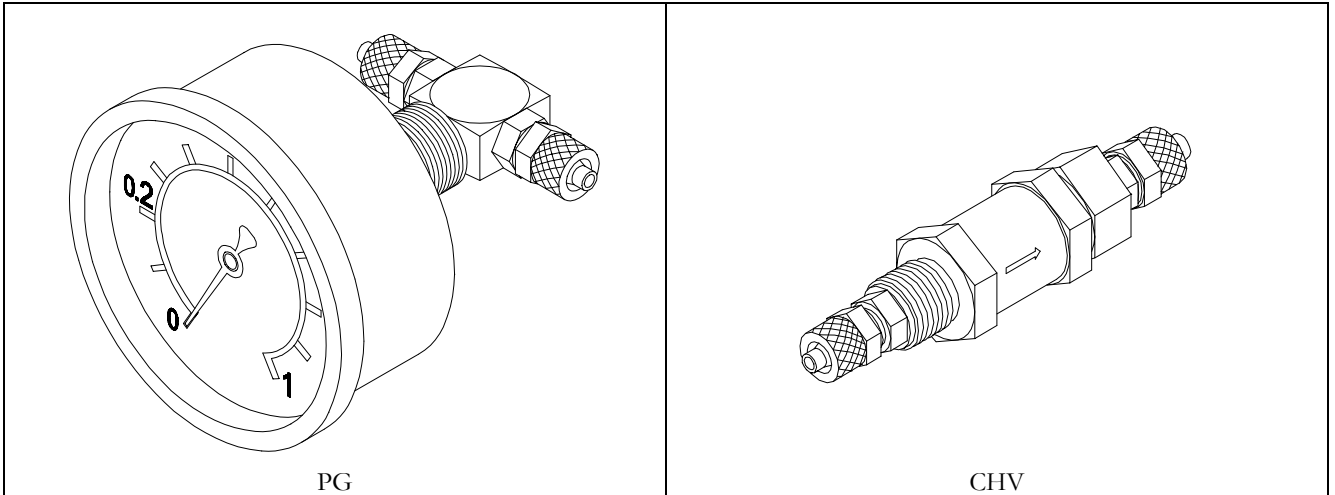
FIL30

order number	description
SOVDC-24	oxygen safety off valve NC (for 3x5 mm tubing), coil 24 VDC/5W, others on request
FIL30	oxygen filter (specify tubing)



OPR

order number	description
OPR10	oxygen pressure regulator 0-1.0 bar g
OPR25	oxygen pressure regulator 0-2.5 bar g



order number	description
PG10	oxygen pressure gauge, 50 mm OD, 0-1.0 bar g, with 2 fittings for 3x5 mm tubing, clamp
PG25	oxygen pressure gauge, 50 mm OD, 0-2.5 bar g, with 2 fittings for 3x5 mm tubing, clamp
CHV	check valve, approx. 25 mbar, ozone resistant

If you have any further question, do not hesitate to contact us.

We will find a solution to your problem.